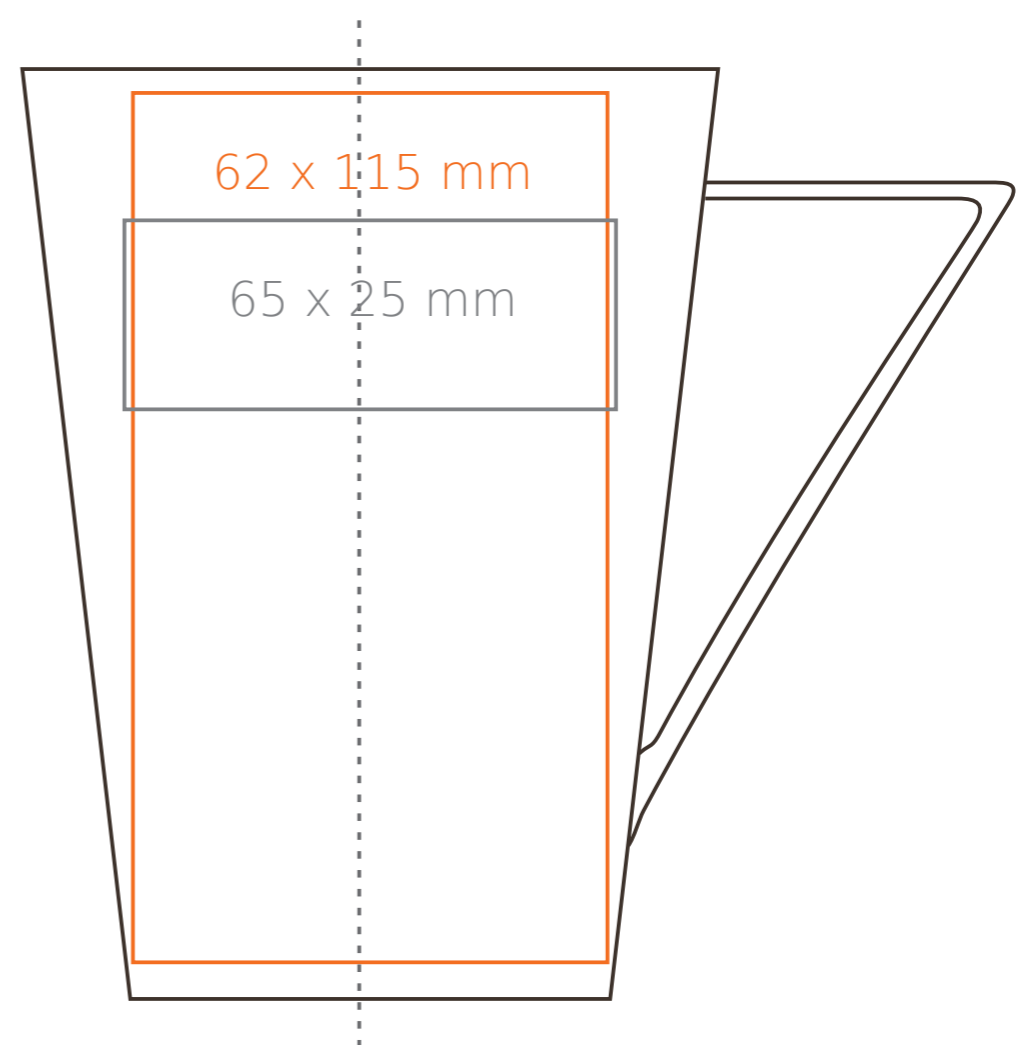
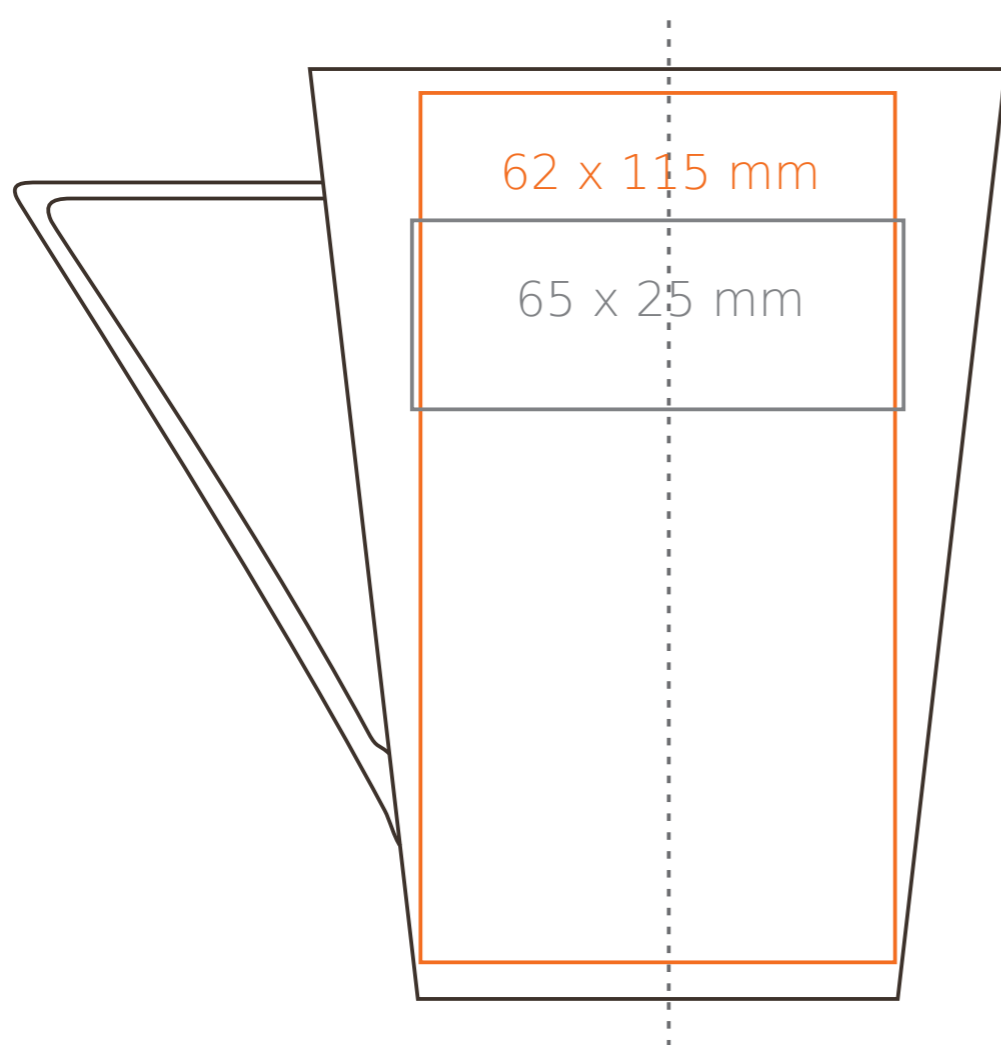
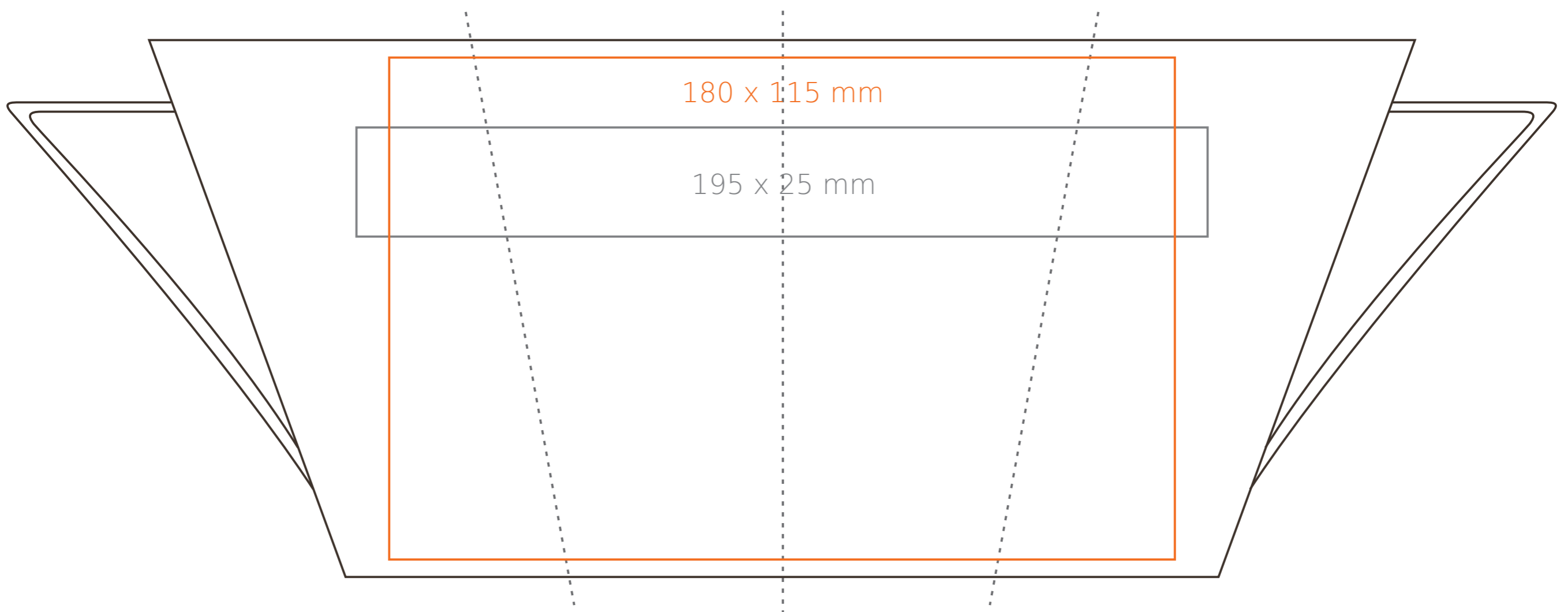


M/0420 Geo II

400 ml / h: 122 mm / Ø 90 mm



- Imprint on the handle - 70 x 10 mm
- Imprint on the inside - 50 x 10 mm
- Imprint on the bottom inside - Ø 30 mm
- Imprint on the bottom outside - Ø 40 mm

*In the case of projects for transfer print running outside of the standard print area, please contact our sales department.

[How to prepare print material](#)

meaning

- Transfer Print
- Sensitive Touch
- Direct Print