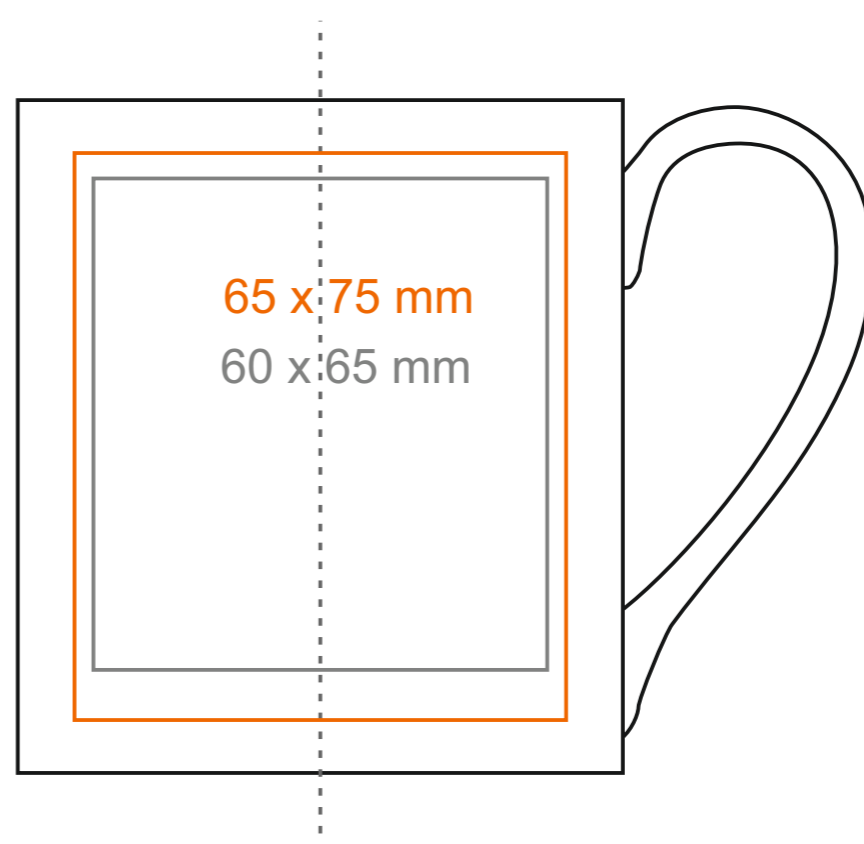
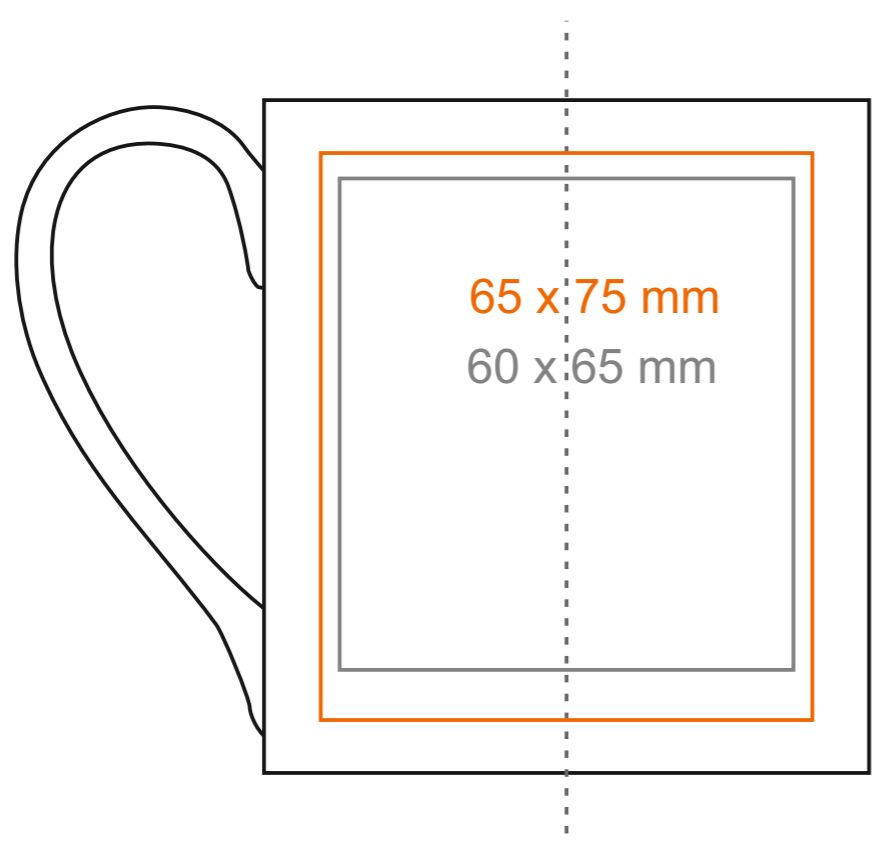
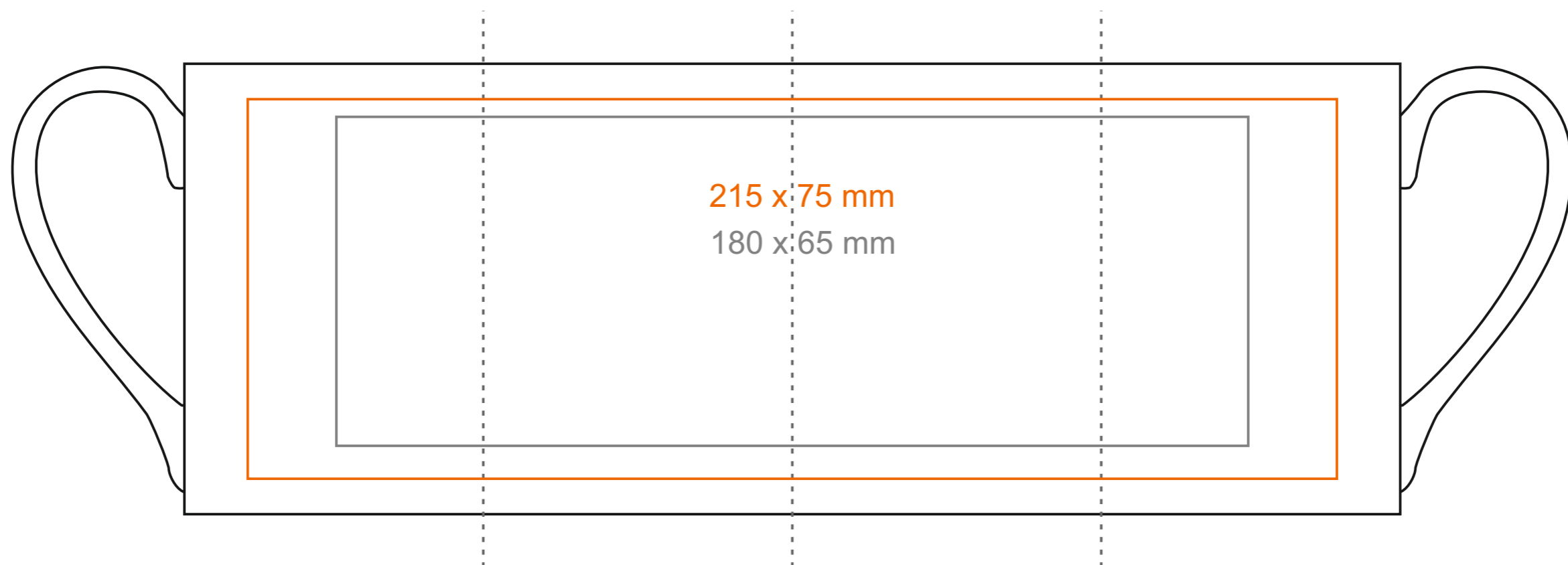


# M\_121 Paro

270 ml / h: 89 mm / Ø 80mm



- Imprint on the handle - 70 x 8 mm
- Imprint on the inside - 40 x 20 mm
- Imprint on the bottom inside - Ø 30 mm
- Imprint on the bottom outside - Ø 50 mm

\*In the case of projects for transfer print running outside of the standard print area, please contact our sales department.

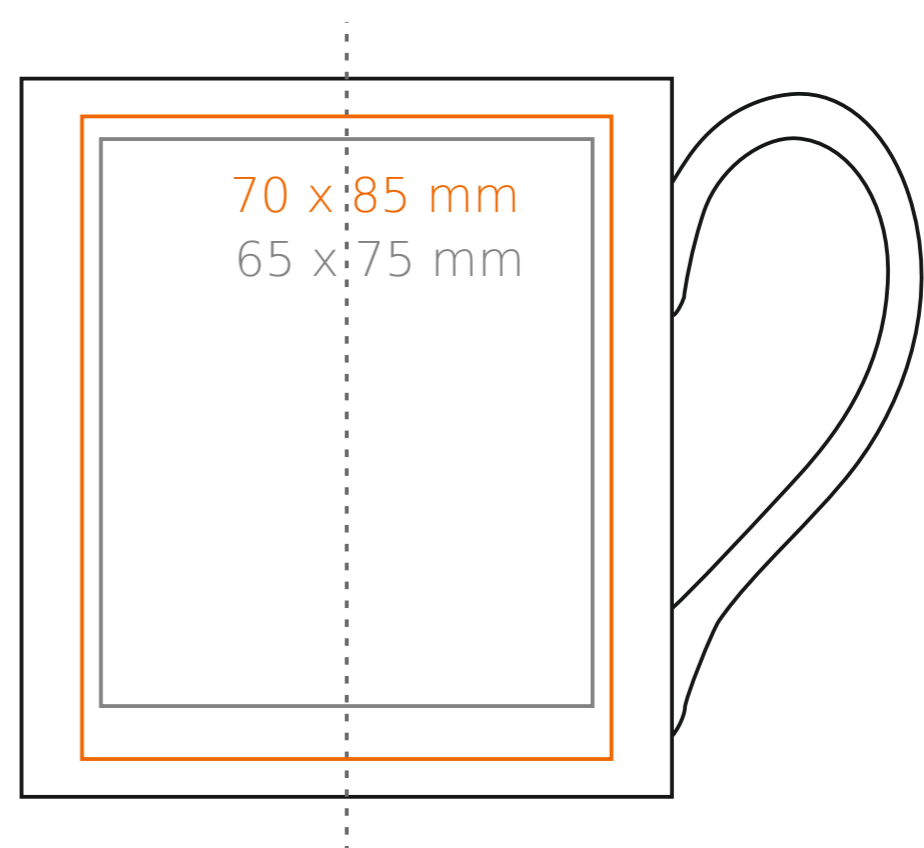
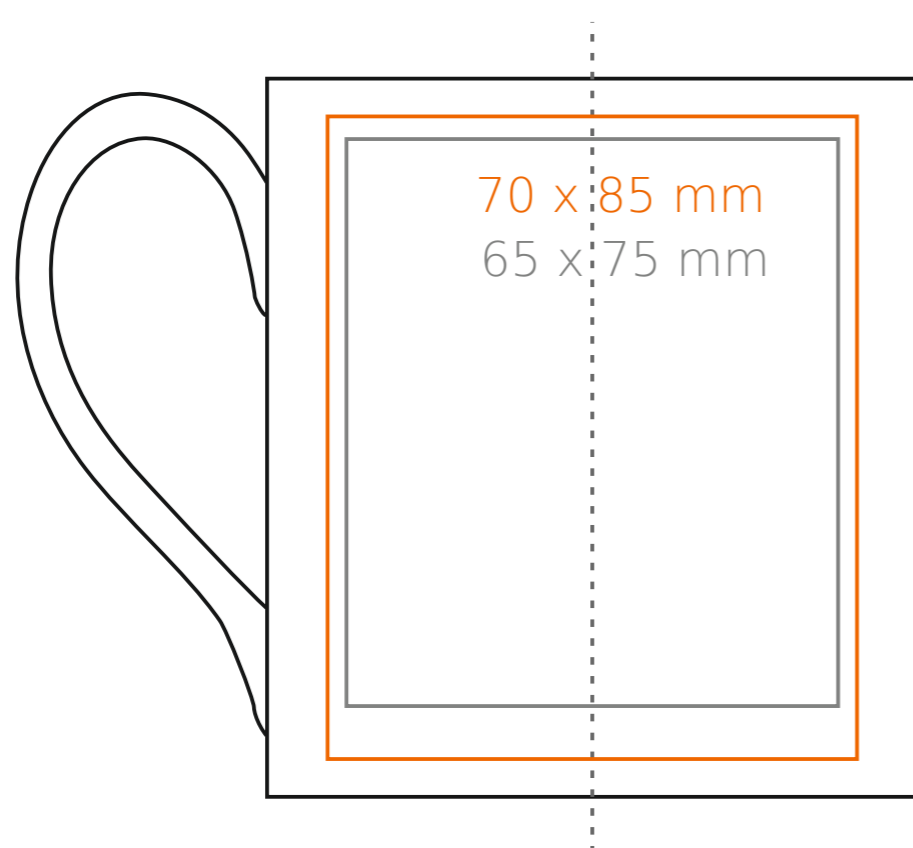
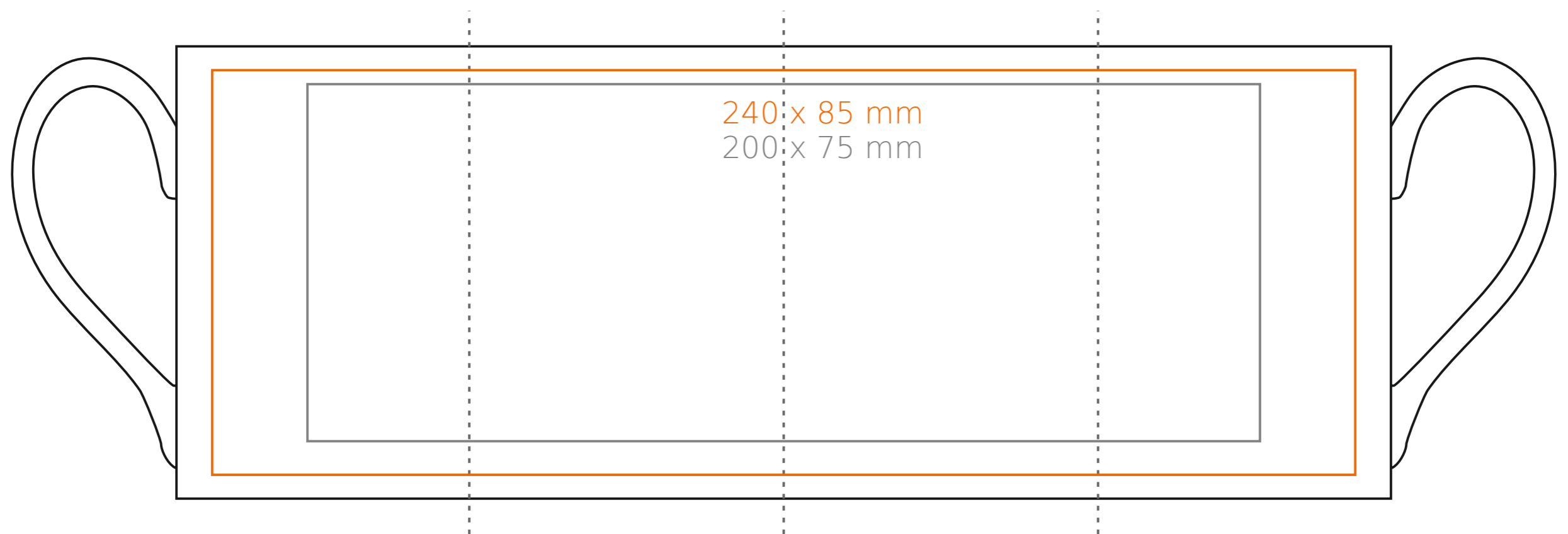
[How to prepare print material](#)

meaning

- Transfer Print
- Sensitive Touch
- Direct Print

# M/121 Paro

380 ml / h: 95 mm / Ø 86mm



- |                               |              |
|-------------------------------|--------------|
| Imprint on the handle         | - 100 x 8 mm |
| Imprint on the inside         | - 55 x 20 mm |
| Imprint on the bottom inside  | - Ø 30 mm    |
| Imprint on the bottom outside | - Ø 55 mm    |

\*In the case of projects for transfer print running outside of the standard print area, please contact our sales department.

[How to prepare print material](#)  
[Jak należy przygotować projekty do druku](#)

meaning

- Transfer Print
- Sensitive Touch
- Direct Print