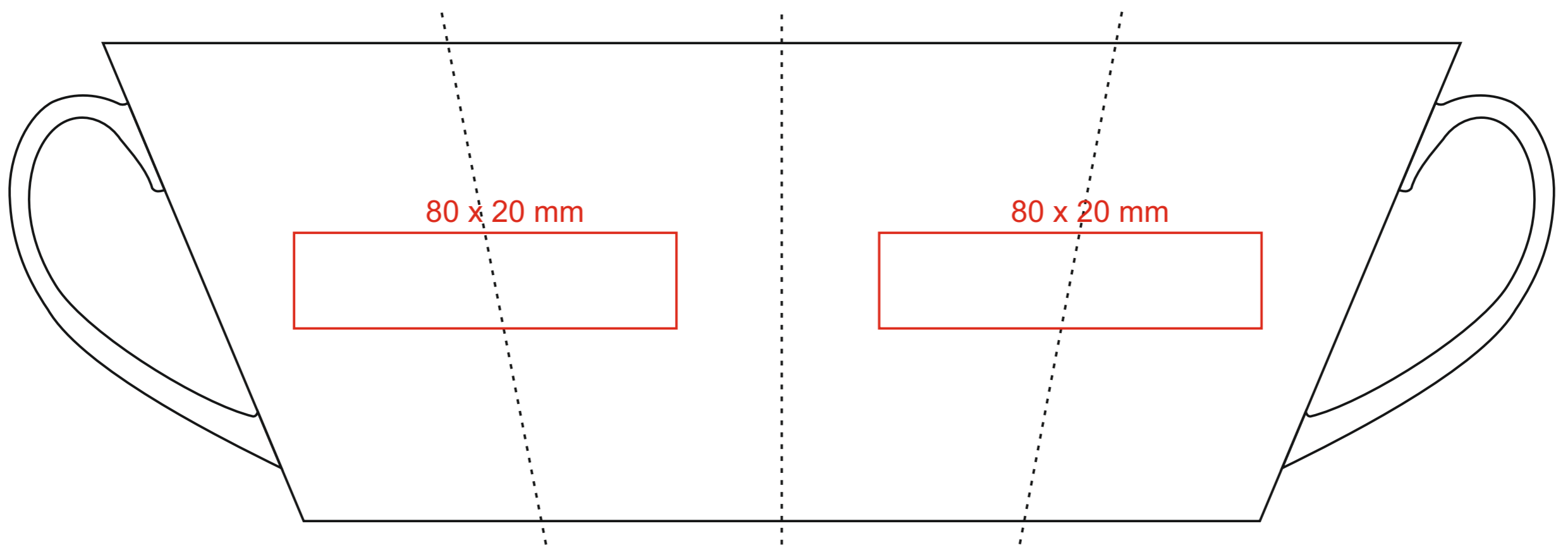


# M\_483 Latte Art. II

300 ml / h: 101 mm / Ø 91 mm



[How to prepare print material](#)

meaning

— Sublimation